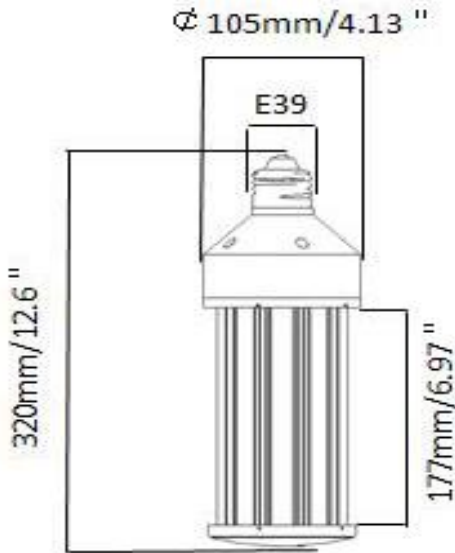




Street Corn Lamp



Dimensions



LED Turtle Friendly Corn 60W

Models:

CL-60W-CL-T AC100-277V 600nm-605nm Amber Color



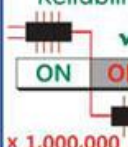



Product Features:

- ◇ IP64 rated, dustproof, insect proof
- ◇ No Fan design, internal driver, aluminum driver box, heat-conducting glue covered driver
- ◇ With IC temperature control inside, also no strob flash
- ◇ Can be used in fully sealed fixture
- ◇ Certificate: UL, cUL, CE, RoHS
- ◇ 50000 hours lifespan, 3 years warranty

Wildlife Lighting Certification

Number: 2018-022



| | | | | | | |
|---|--|---|---|---|--|--|
|  <p>Omnidirectional</p> |  <p>Suitable</p> |  <p>Solid State</p> |  <p>Reliability</p> |  <p>Lumen Efficacy</p> |  <p>Warranty</p> |  <p>Sustainability</p> |
| <p>360° Illumination</p> | <p>For Enclosed Luminaires</p> | <p>Vibration and Shock Resistant</p> | <p>LM-80 Tested ISTMT Tested</p> | <p>140 lpw LM-79 Tested</p> | <p>3 years Safe and Reliable</p> | <p>Environmentally Friendly</p> |

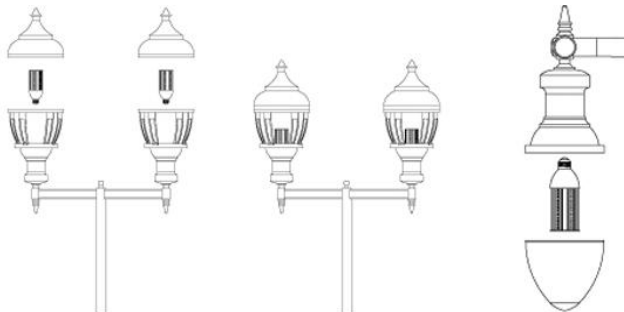
Technical Specifications

| | |
|------------------------|---------------------------|
| Model | CL-60W-CL-T |
| Rate Power | 60W±5% |
| Input Voltage | AC100-277V 50/60Hz |
| Light Color | Amber Color |
| Wavelength | 600nm-605nm |
| Power Factor | >0.9 |
| Lumens | 1050lm±5% |
| Lighting Source | LED SMD5730 |
| Operating Temp. | -20~45°C |
| Mounting | E26/E27/E39/E40 |
| Rated Life | Up to 50,000 Hrs. |
| LED LM80 | Yes |

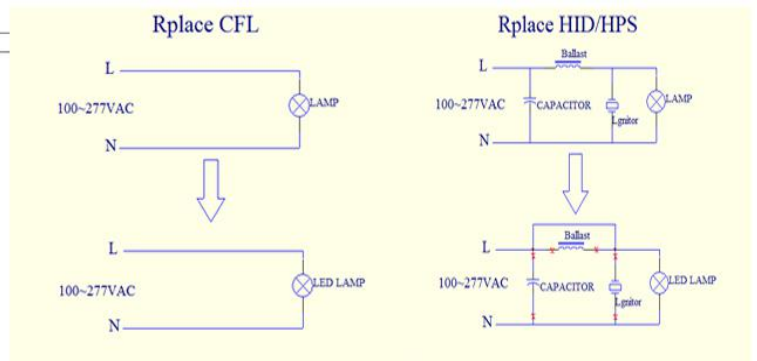
Applications



Installations



Street Lighting / Acorn



Packing Details

| | |
|-----------------------------|------------------------------|
| Pack Quantity | 8PCS |
| Net Weight Per CTN | 2.65lbs/1200g |
| Gross Weight Per CTN | 27.51lbs/12.48kg |
| Inner Box Size | 14.4" x 5.7" x 5.9" |
| Master Carton Size | 25.6" x 13.8" x 15.6" |

